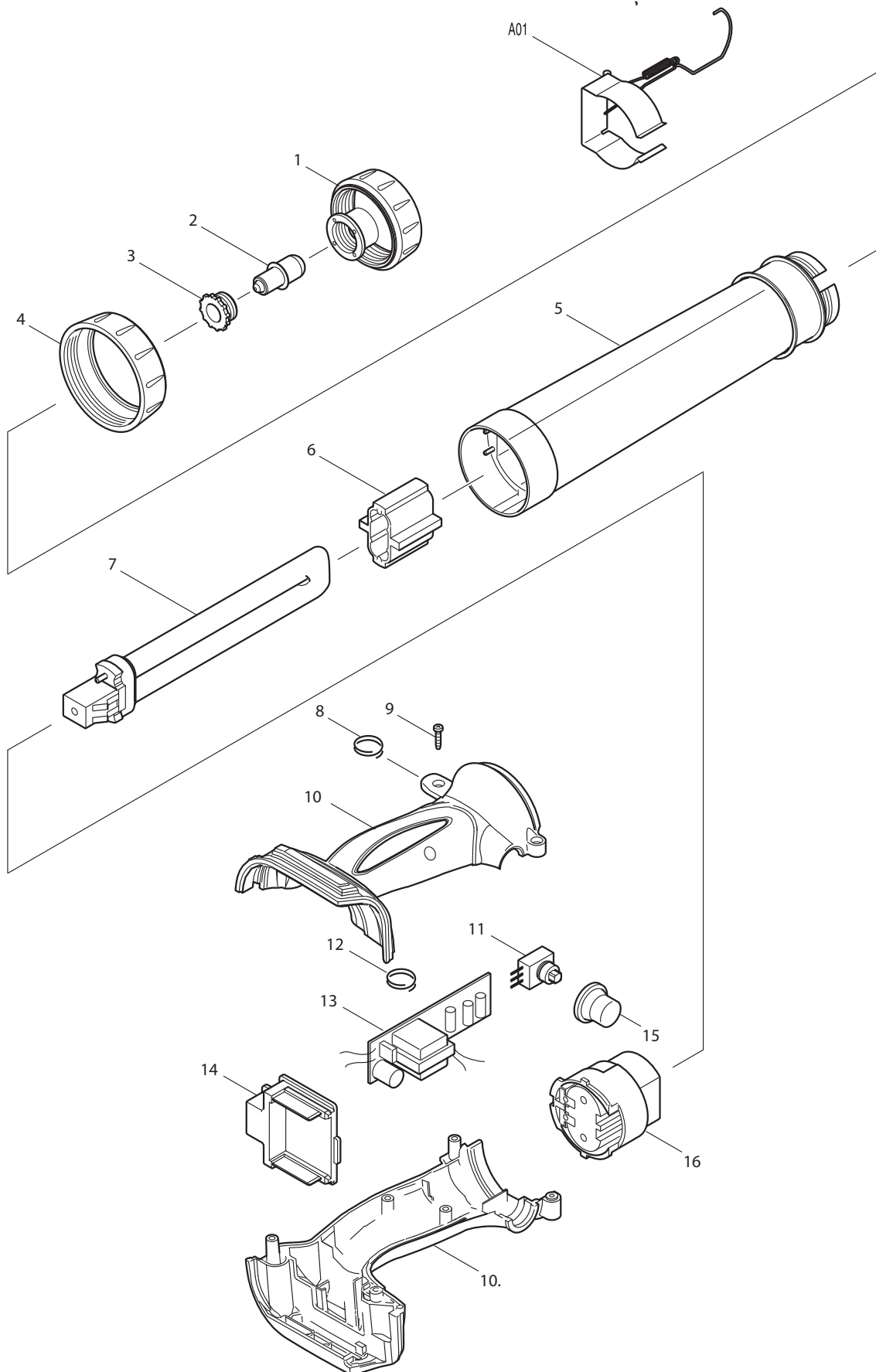




10 - 2010
BML184
BML184/BULK
14.4 / 18V FLOURESCENTLIGHT



Item	Nc	Type	Ref	Rel Part No	Description	Qty	Unit
1				GM00001021	REFLECTOR	1	PC.
2				A-94502	LIGHT BULB SET	1	PC.
3				GM00001020	BULB HOLDER	1	PC.
4				GM00001019	LOCK RING	1	PC.
5				GM00001017	LAMP COVER	1	PC.
6				GM00001023	ABSORBER	1	PC.
7				SM00000050	FLUORESCENT TUBE	1	PC.
8				SM00000190	RING	1	PC.
9				GM00001024	SCREW 3X12	6	PC.
10				GM00001047	HOUSING SET	1	SET
11				GM00001025	SWITCH	1	PC.
12				SM00000190	RING	1	PC.
13				GM00001049	PCB	1	PC.
14	1			GM00000530	BATTERY HOLDER	1	PC.
	2			GM00001117	BATTERY HOLDER	1	PC.
15				GM00001022	SWITCH COVER	1	PC.
16				GM00001018	HOLDER	1	PC.
<u>ACCESSORIES</u>							
A01				GM00001027	METAL HOOK	1	PC.
A02				GM00001028	SHOULDER HOOK SET	1	PC.